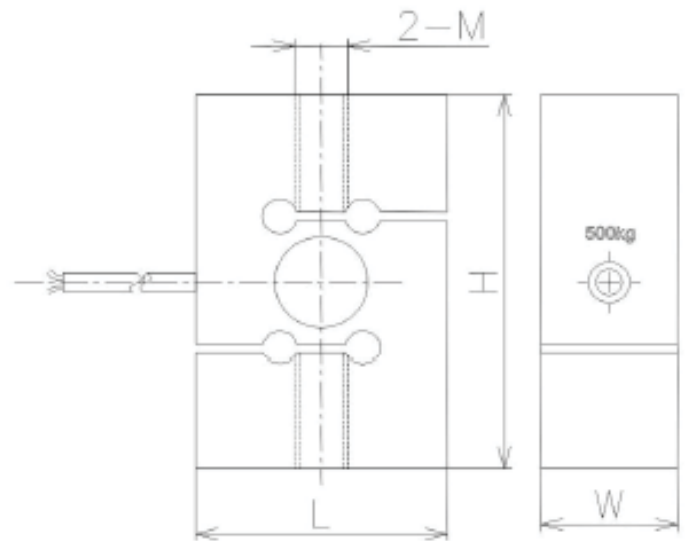


## WSD



### Mounting Dimension

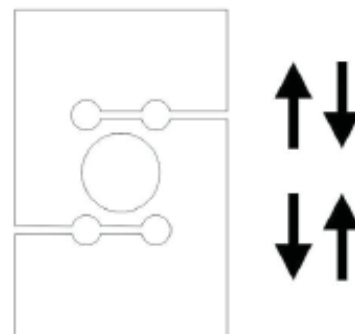


Specifications		WSD
Capacity	kg	50, 100, 200, 500, 1000, 2000, 3000, 5000
Sensitivity	%mV/V	2.0±0.25
Zero balance	mV/V	0.01
Non-linearity	%F.S.	0.018
Hysteresis	%F.S.	± 0.018
Repeatability	%F.S.	0.018
Creep(30min)	%F.S.	0.024
Temp.effect on output	%F.S./10°C	0.014
Temp.effect on zero	%F.S./10°C	0.017
Input impedance	Ω	350 ± 5
Output impedance	Ω	350 ± 5
Insulation		≥5000M Ohm/100VDC
Recommended excitation	V	5
Maximum excitation Voltage	V	15
Compensated temp. range	°C	-10 – 40
Operating temp. range	°C	-30 – 70
Safe load limit	%F.S.	150
Breaking load	%F.S.	300
Cable size	mm	5.4 × 3000
Weight approx.		
Material		Stainless Steel
IP Class		IP68

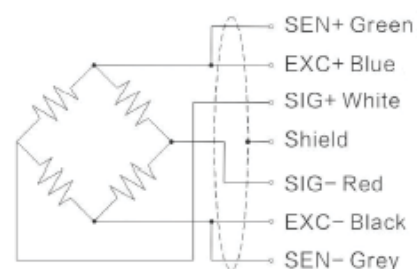
### Features & Applications

- low profile, small deflection
- Made of stainless steel
- Tension and compression application
- Mainly used for pull and push dynamometer, hopper scale and industrial measuring system
- IP68

### Load Direction



### Wiring Code



Cap (kg)	L	H	W	M
50	50.8	63.5	25.4	M8
100, 200	50.8	76.2	25.4	M12
500	57.2	87.3	31	M12
1000	57.2	87.3	31	M12
2000	69.8	100	36.5	M24 × 2
3000	69.8	100	36.5	M24 × 2
5000	76.2	114.3	36.5	M24 × 2

