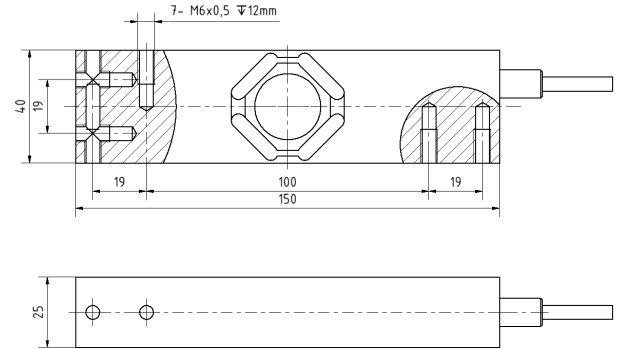
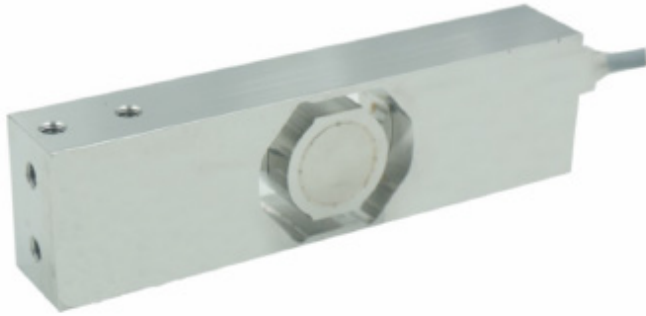


WBL

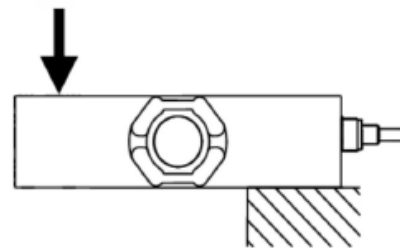


Specifications		WBL
Capacity	kg	10, 20, 50, 100
Sensitivity	%mV/V	2.0±10
Zero balance	%F.S.	± 5
Non-linearity	%F.S.	0.0166
Hysteresis	%F.S.	0.0166
Repeatability	%F.S.	0.018
Creep(30min)	%F.S.	0.0166
Temp.effect on output	%F.S./10°C	0.0175
Temp.effect on zero	%F.S./10C°	0.0125
Input impedance	Ω	390 ± 5
Output impedance	Ω	350 ± 5
Insulation		≥5000M Ohm/100VDC
Recommended excitation	V	5
Maximum excitation Voltage	V	12
Compensated temp. range	°C	-10 – 40
Operating temp. range	°C	-10 – 50
Safe load limit	%F.S.	150
Breaking load	%F.S.	300
Cable size	mm	5.4 × 3000
Weight approx.	kg	0.5
Material		Stainless Steel
IP Class		IP68
Max.platform size	mm	500 × 400

Features & Applications

- Made of stainless steel
- Strong stability
- Used in various automated stamping applications
- IP68 protection
- Mainly used for food and pharmaceutical industry and industrial measuring systems

Load Direction



Wiring Code

