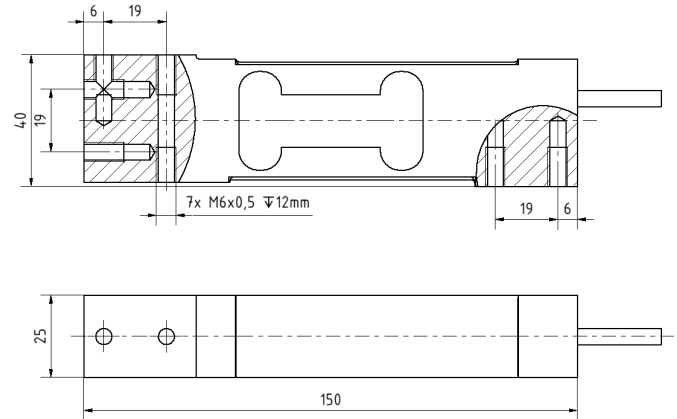
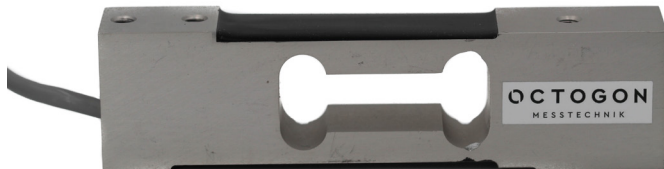


## WBI

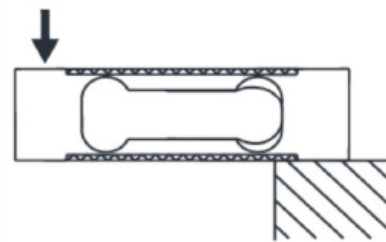


Specifications		WBI
Capacity	kg	3.5, 7.5, 15, 20, 30, 50, 75, 100, 150, 200
Sensitivity	%mV/V	2.0±10
Zero balance	%F.S.	± 2.0
Non-linearity	%F.S.	0.0166
Hysteresis	%F.S.	0.0166
Repeatability	%F.S.	0.02
Creep(30min)	%F.S.	0.017
Temp.effect on output	%F.S./10°C	0.017
Temp.effect on zero	%F.S./10C°	0.02
Input impedance	Ω	420 ± 20
Output impedance	Ω	350 ± 10
Insulation		≥5000M Ohm/100VDC
Recommended excitation	V	5-15
Maximum excitation Voltage	V	20
Compensated temp. range	°C	-10 - 40
Operating temp. range	°C	-10 - 50
Safe load limit	%F.S.	150
Breaking load	%F.S.	300
Cable size	mm	5.2 × 1600
Weight approx.	kg	0.9
Material		Stainless steel / Aluminium alloy
IP Class		IP67

### Features & Applications

- Made of stainless steel or aluminium alloy, strong stability
- High accuracy, high side load tolerance
- Easy to install
- IP67 protection
- Mainly used for electronic scales, electronic balance, price computing scales and industrial weighing systems

### Load Direction



### Wiring Code

