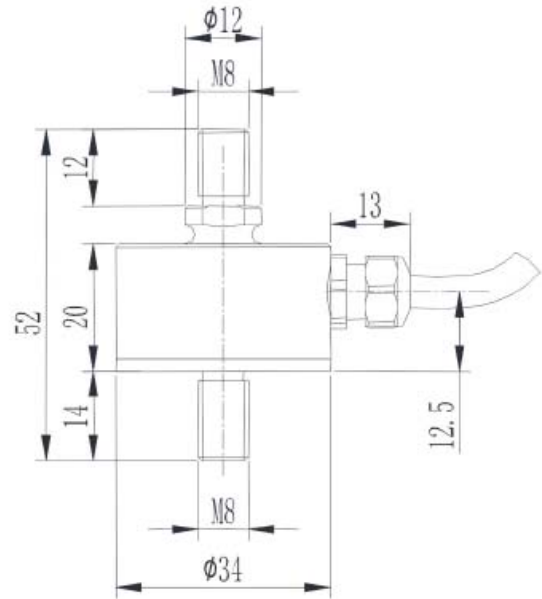


FZE



Mounting Dimension

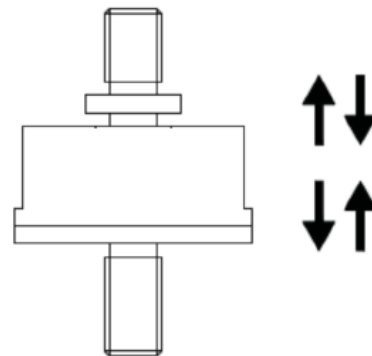


Specifications		FZE
Capacity	kN	0.5, 1, 1.5, 2, 3, 5
Sensitivity	%mV/V	1.5±10
Zero balance	mV/V	± 0.05
Non-linearity	%F.S.	0.2
Hysteresis	%F.S.	0.10
Repeatability	%F.S.	0.1
Creep(30min)	%F.S.	0.1
Temp.effect on output	%F.S./10°C	0.05
Temp.effect on zero	%F.S./10C°	0.05
Input impedance	Ω	700 ± 10
Output impedance	Ω	700 ± 10
Insulation		≥5000M Ohm/100VDC
Recommended excitation	V	5-15
Maximum excitation Voltage	V	20
Compensated temp. range	°C	-10 - 60
Operating temp. range	°C	-20 - 80
Safe load limit	%F.S.	150
Breaking load	%F.S.	200
Cable size	mm	4 × 4000
Weight approx.		
Material		Stainless Steel
IP Class		IP68

Features & Applications

- Miniature load cell, low profile, small deflection
- Made of stainless steel
- Tension and compression application
- Mainly used for automotive press fit, automated assembly, 3C products testing, new energy product assembly, medical testing robotics, mold assembly and other industrial testing and control systems
- High dynamic response frequency

Load Direction



Wiring Code

