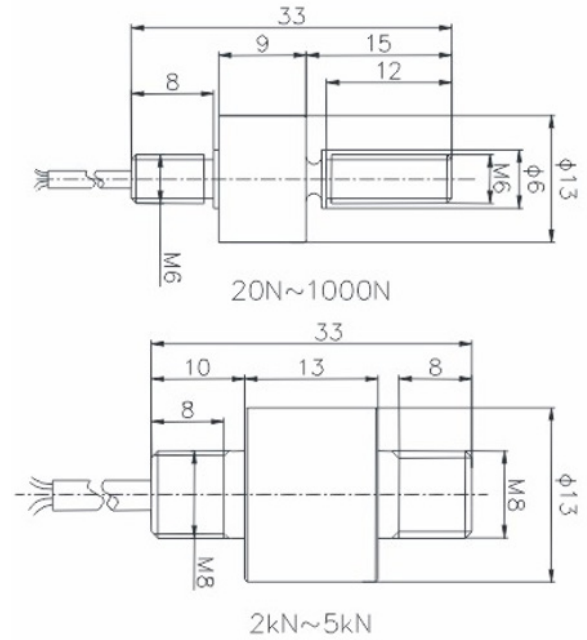


FZB

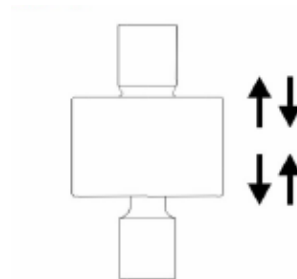


Specifications		FZB
Capacity	N	20, 50, 100, 150, 200, 300, 500
Sensitivity	%mV/V	1.0±21
Zero balance	mV/V	± 0.05
Non-linearity	%F.S.	0.5
Hysteresis	%F.S.	0.2
Repeatability	%F.S.	0.2
Creep(30min)	%F.S.	0.1
Temp.effect on output	%F.S./10°C	0.05
Temp.effect on zero	%F.S./10C°	0.05
Input impedance	Ω	800~1100
Output impedance	Ω	800~1100
Insulation		≥5000M Ohm/100VDC
Recommended excitation	V	5-10
Maximum excitation Voltage	V	15
Compensated temp. range	°C	-10 - 60
Operating temp. range	°C	-20 - 80
Safe load limit	%F.S.	150
Breaking load	%F.S.	200
Cable size	mm	2 × 4000
Weight approx.	kg	0.1
Material		Stainless Steel
IP Class		IP66

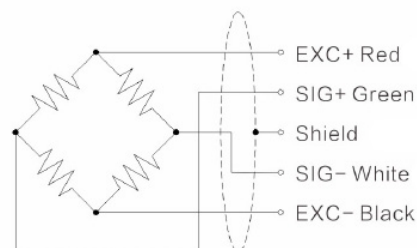
Features & Applications

- Miniature load cell, low profile, small deflection
- Made of stainless steel
- Tension and compression application
- Mainly used for automotive press fit, automated assembly, medical testing, robotics, mold assembly and other industrial testing an control system
- High dynamic response frequency

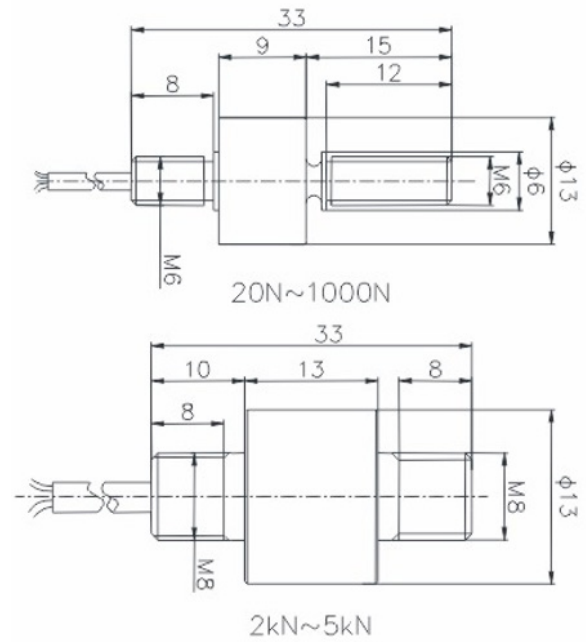
Load Direction



Wiring Code



FZB

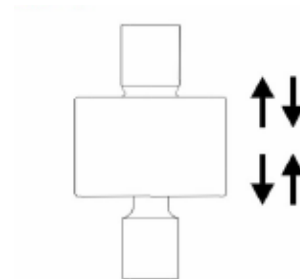


Specifications		FZB
Capacity	kN	1, 2, 3, 4, 5
Sensitivity	%mV/V	1.0±21
Zero balance	mV/V	± 0.05
Non-linearity	%F.S.	0.5
Hysteresis	%F.S.	0.2
Repeatability	%F.S.	0.2
Creep(30min)	%F.S.	0.1
Temp.effect on output	%F.S./10°C	0.05
Temp.effect on zero	%F.S./10C°	0.05
Input impedance	Ω	800~1100
Output impedance	Ω	800~1100
Insulation		≥5000M Ohm/100VDC
Recommended excitation	V	5-10
Maximum excitation Voltage	V	15
Compensated temp. range	°C	-10 - 60
Operating temp. range	°C	-20 - 80
Safe load limit	%F.S.	150
Breaking load	%F.S.	200
Cable size	mm	2 × 4000
Weight approx.	kg	0.1
Material		Stainless Steel
IP Class		IP66

Features & Applications

- Miniature load cell, low profile, small deflection
- Made of stainless steel
- Tension and compression application
- Mainly used for automotive press fit, automated assembly, medical testing, robotics, mold assembly and other industrial testing an control system
- High dynamic response frequency

Load Direction



Wiring Code

