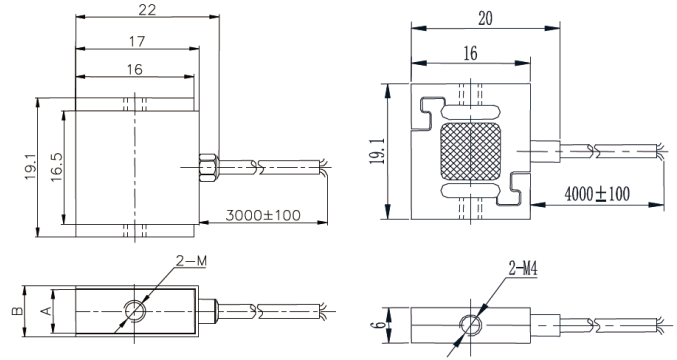
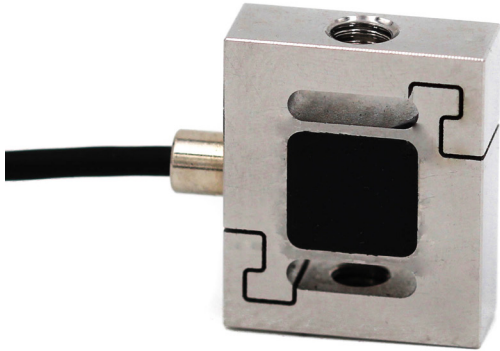


FSA

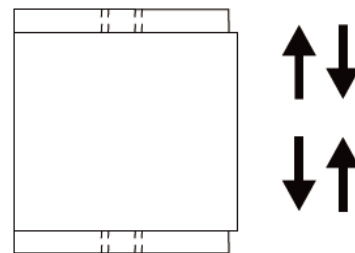


Specifications		FSA
Capacity	N	1, 2.5, 5, 10, 20, 50, 100, 200, 300, 500
Sensitivity	%mV/V	2.0±10
Zero balance	mV/V	± 0.02
Non-linearity	%F.S.	0.05
Hysteresis	%F.S.	0.05
Repeatability	%F.S.	0.05
Creep(30min)	%F.S.	0.05
Temp.effect on output	%F.S./10°C	0.05
Temp.effect on zero	%F.S./10C°	0.05
Input impedance	Ω	350 ± 30
Output impedance	Ω	350 ± 5
Insulation		≥5000M Ohm/100VDC
Recommended excitation	V	5
Maximum excitation Voltage	V	15
Compensated temp. range	°C	-10 – 60
Operating temp. range	°C	-20 – 80
Safe load limit	%F.S.	150
Breaking load	%F.S.	300
Cable size	mm	2 × 4000
Weight approx.	kg	0.1
Material		Stainless Steel
IP Class		IP66

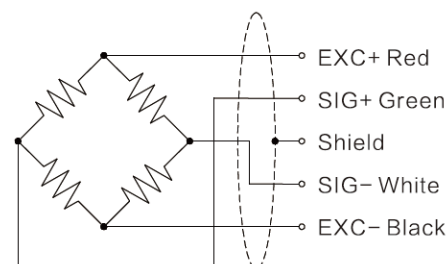
Features & Applications

- Miniature load cell ad High precision with anti-overload protection
- Made of stainless steel or Aluminium
- Tension and compression application
- Mainly used for automotive press fit, automated assembly, 3C products testing, new energy product assembly, medical testing, robotics, mold assembly and other industrial testing and control system
- High dynamic response frequency

Load Direction



Wiring Code



Cap (N)	A	B	M
1, 2.5, 5, 10, 20	5	6.8	M3
50, 100, 200, 300, 500	6	7.5	M4