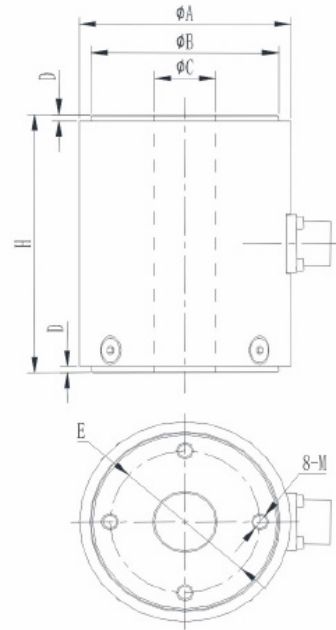


## FRF

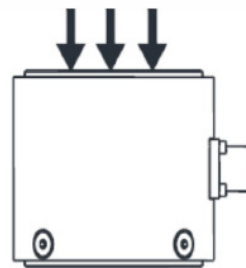


Specifications		FRF
Capacity	kN	5, 10, 20, 50, 100
Sensitivity	%mV/V	1.0±10
Zero balance	mV/V	± 0.05
Non-linearity	%F.S.	0.2
Hysteresis	%F.S.	0.2
Repeatability	%F.S.	0.1
Creep(30min)	%F.S.	0.1
Temp.effect on output	%F.S./10°C	0.05
Temp.effect on zero	%F.S./10C°	0.05
Input impedance	Ω	780 ± 20
Output impedance	Ω	700 ± 10
Insulation		≥5000M Ohm/100VDC
Recommended excitation	V	5-15
Maximum excitation Voltage	V	20
Compensated temp. range	°C	-10 – 60
Operating temp. range	°C	-20 – 80
Safe load limit	%F.S.	150
Breaking load	%F.S.	200
Cable size	mm	5.0 × 4000
Weight approx.		
Material		Stainless Steel
IP Class		IP66

### Features & Applications

- Low profile, small deflection and mini dimension
- Made of stainless steel
- IP66 protection, customizable
- Suitable for Automotive press fit, automated assembly, 3C products testing, new energy product assembly, medical testing, robotics, mold assembly and other industrial testing and control system
- High dynamic response frequency

### Load Direction



Cap (kN)	A	B	C	D	E	H	M
5	40	35	10H8	1	24	50	M4deep8
10, 20, 50, 100	62	55	18H8	2	44	70	M5deep8

### Wiring Code

