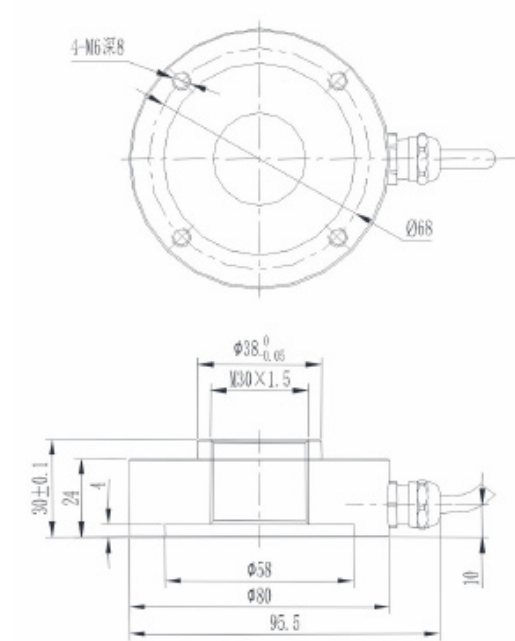


## FRE

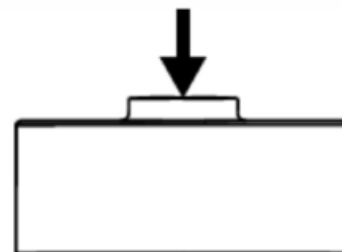


Specifications		FRE
Capacity	kN	5, 10, 20, 30, 50
Sensitivity	%mV/V	1.5±10
Zero balance	mV/V	± 0.03
Non-linearity	%F.S.	0.2
Hysteresis	%F.S.	0.2
Repeatability	%F.S.	0.1
Creep(30min)	%F.S.	0.1
Temp.effect on output	%F.S./10°C	0.05
Temp.effect on zero	%F.S./10C°	0.05
Input impedance	Ω	780 ± 20
Output impedance	Ω	700 ± 10
Insulation		≥5000M Ohm/100VDC
Recommended excitation	V	5-15
Maximum excitation Voltage	V	20
Compensated temp. range	°C	-10 – 60
Operating temp. range	°C	-20 – 80
Safe load limit	%F.S.	150
Breaking load	%F.S.	200
Cable size	mm	5.0 × 4000
Weight approx.		
Material		Stainless Steel
IP Class		IP67

### Features & Applications

- Low profile, small deflection and mini dimension
- Made of stainless steel
- IP67 protection, customizable
- Suitable for Automotive press fit, automated assembly, 3C products testing, new energy product assembly, medical testing, robotics, mold assembly and other industrial testing and control system
- High dynamic response frequency

### Load Direction



### Wiring Code

