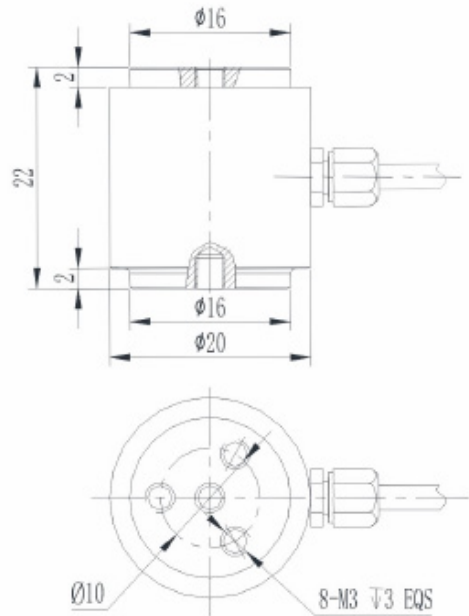


FMC

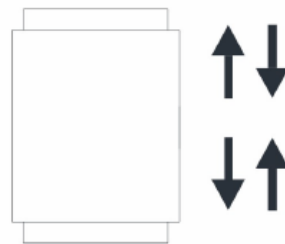


Specifications		FMC
Capacity	N	20, 50, 100, 200, 300, 500, 1000, 2000
Sensitivity	%mV/V	2.0±10
Zero balance	%F.S.	± 2
Non-linearity	%F.S.	0.05
Hysteresis	%F.S.	0.05
Repeatability	%F.S.	0.05
Creep(30min)	%F.S.	0.05
Temp.effect on output	%F.S./10°C	0.05
Temp.effect on zero	%F.S./10C°	0.05
Input impedance	Ω	650/350 ± 10
Output impedance	Ω	650/350 ± 10
Insulation		≥5000M Ohm/100VDC
Recommended excitation	V	5-12
Maximum excitation Voltage	V	15
Compensated temp. range	°C	-10 – 60
Operating temp. range	°C	-20 – 80
Safe load limit	%F.S.	150
Breaking load	%F.S.	200
Cable size	mm	3 × 4000
Weight approx.	kg	0.1
Material		Stainless Steel
IP Class		IP66

Features & Applications

- Miniature load cell, low profile, small deflection
- Made of stainless steel
- Tension and compression application
- Mainly used for automotive press fit, automated assembly, 3C products testing, new energy product assembly, medical testing, robotics, mold assembly and other industrial testing and control system
- High dynamic response frequency

Load Direction



Wiring Code

