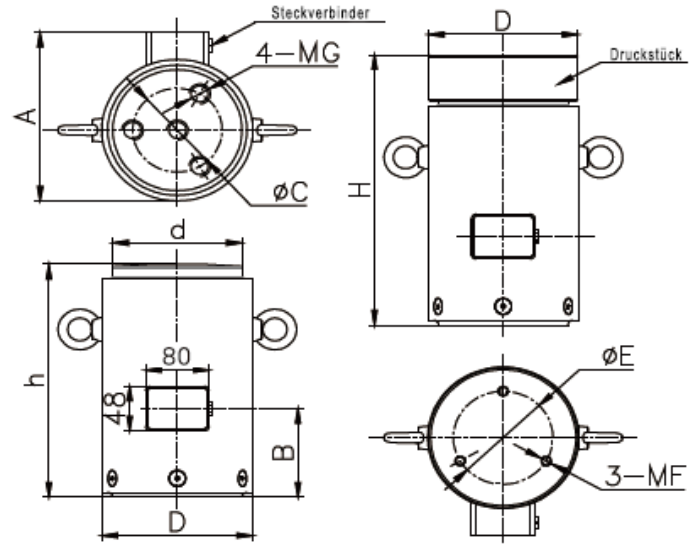


FMB



5000~50000kN

Specifications		FMB
Capacity	kN	5000, 10000, 20000, 50000
Sensitivity	mV/V	2.0
Zero balance	%F.S.	± 1
Non-linearity	%F.S.	0.02
Hysteresis	%F.S.	0.02
Repeatability	%F.S.	0.02
Creep(30min)	%F.S.	0.02
Temp.effect on output	%F.S./10°C	0.05
Temp.effect on zero	%F.S./10C°	0.05
Input impedance	Ω	760 ± 20
Output impedance	Ω	700 ± 10
Insulation		≥5000M Ohm/100VDC
Recommended excitation	V	5
Maximum excitation Voltage	V	15
Compensated temp. range	°C	-10 - 60
Operating temp. range	°C	-30 - 70
Safe load limit	%F.S.	150
Breaking load	%F.S.	300
Cable size	mm	5.4 × 6000
Weight approx.		
Material		Stainless Steel
IP Class		IP67

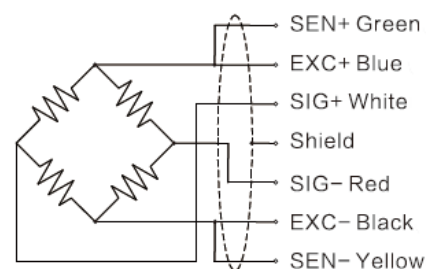
Features & Applications

- Strong stability
- Used in various automated stamping applications
- IP67 protection
- High capacity up to 5000t
- Mainly used in force measurement device

Load Direction



Wiring Code



Cap (kg)	A	B	C	D	d	E	H	h	F	G
5000	180	95	90	150	130	100	370	330	M10	M20
10000	245	125	120	215	190	120	450	400	M10	M20
20000	318	150	200	295	260	200	650	570	M12	M24
50000	487	185	300	455	420	300	800	600	M12	M24