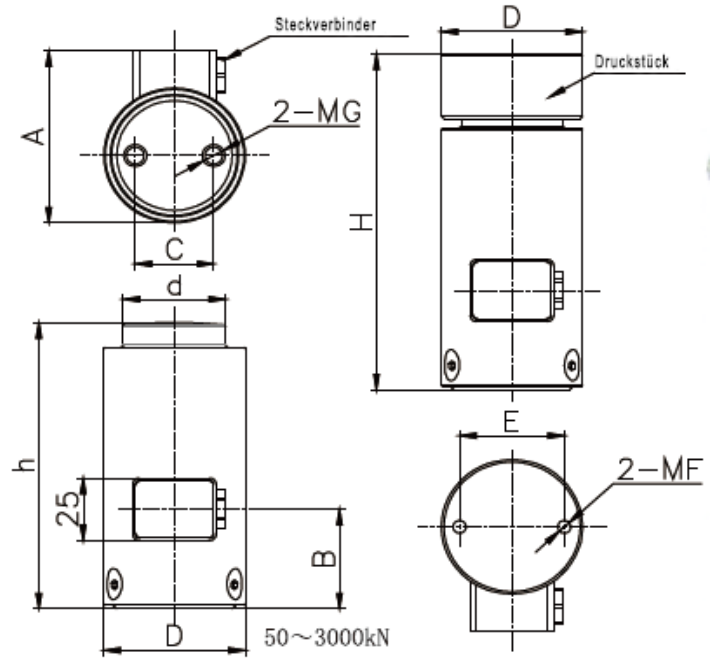


FMA

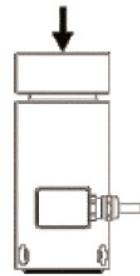


Specifications	FMA	
Capacity	kN	50, 100, 200, 500, 1000, 2000, 3000
Sensitivity	mV/V	2.0
Zero balance	%F.S.	± 1
Non-linearity	%F.S.	0.02
Hysteresis	%F.S.	0.02
Repeatability	%F.S.	0.02
Creep(30min)	%F.S.	0.02
Temp.effect on output	%F.S./10°C	0.05
Temp.effect on zero	%F.S./10C°	0.05
Input impedance	Ω	760 ± 20
Output impedance	Ω	700 ± 10
Insulation		≥5000M Ohm/100VDC
Recommended excitation	V	5
Maximum excitation Voltage	V	15
Compensated temp. range	°C	-10 – 60
Operating temp. range	°C	-30 – 70
Safe load limit	%F.S.	150
Breaking load	%F.S.	300
Cable size	mm	5.4 × 6000
Weight approx.		
Material		Stainless Steel
IP Class		IP67

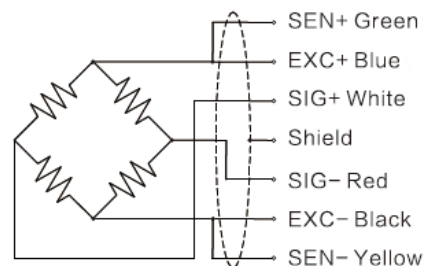
Features & Applications

- Strong stability
- Used in various automated stamping applications
- IP67 protection
- High capacity up to 5000t
- Mainly used in force measurement device

Load Direction



Wiring Code



Cap (kg)	A	B	C	D	d	E	H	h	F	G
50, 100, 200, 500	69	40	30	54	39	40	135	115	M6	M8
1000	93	60	40	78	60	50	175	150	M6	M12
2000	121	60	60	103	85	75	240	210	M10	M16
3000	145	70	75	125	105	90	290	250	M10	M16