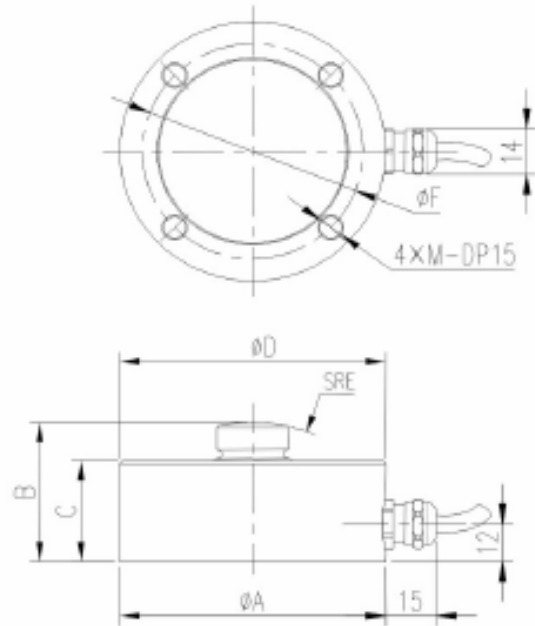


## FKD

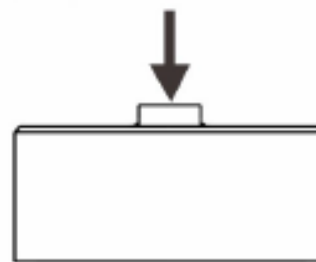


Specifications		FKD
Capacity	kN	5, 10, 20, 30, 50, 100, 150, 200, 300, 500, 1000
Sensitivity	%mV/V	1.5±10
Zero balance	mV/V	± 0.05
Non-linearity	%F.S.	0.05
Hysteresis	%F.S.	0.05
Repeatability	%F.S.	0.05
Creep(30min)	%F.S.	0.05
Temp.effect on output	%F.S./10°C	0.03
Temp.effect on zero	%F.S./10C°	0.03
Input impedance	Ω	385/780 ± 20
Output impedance	Ω	350/700 ± 10
Insulation		≥5000M Ohm/100VDC
Recommended excitation	V	5-12
Maximum excitation Voltage	V	20
Compensated temp. range	°C	-10 – 60
Operating temp. range	°C	-20 – 80
Safe load limit	%F.S.	150
Breaking load	%F.S.	300
Cable size	mm	5.0 × 4000
Weight approx.		
Material		Stainless Steel
IP Class		IP67

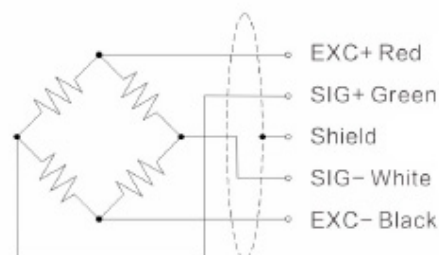
### Features & Applications

- Low profile, small deflection and mini dimension
- Made of stainless steel, High temperature could be customized
- IP67 protection, customizable
- Suitable for Automotive press fit, automated assembly, 3C products testing, new energy product assembly, medical testing, robotics, mold assembly and other industrial testing and control system
- High dynamic response frequency

### Load Direction



### Wiring Code



Capacity (kN)	A	B	C	D	E	F	M
5, 10, 20, 30, 50, 100	82	44	32	22	50	68	M8
150, 200	100	48	36	28	100	80	M8
300	126	54	40	35	100	101	M10
500, 1000	265	80	62	60	150	144	M10