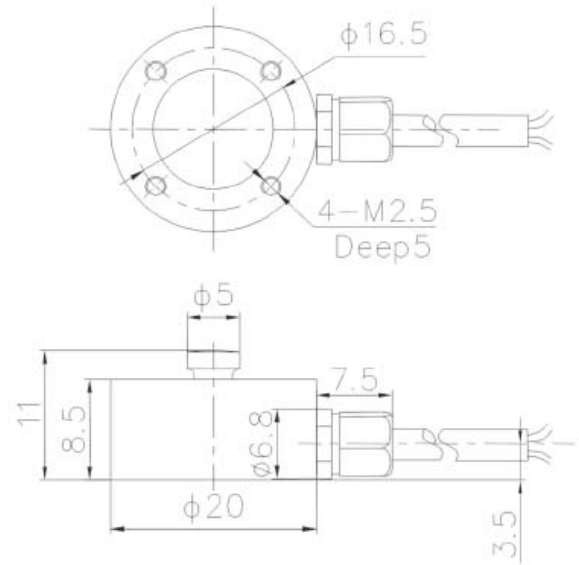


FKB



Mounting Dimension

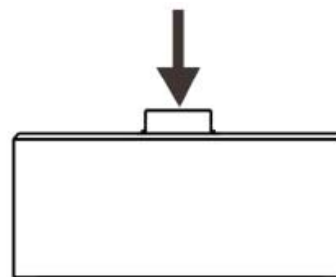


Specifications		FKB
Capacity	N	50, 100, 200, 500
Sensitivity	%mV/V	1.5±20
Zero balance	mV/V	± 0.05
Non-linearity	%F.S.	0.5
Hysteresis	%F.S.	0.2
Repeatability	%F.S.	0.2
Creep(30min)	%F.S.	0.1
Temp.effect on output	%F.S./10°C	0.05
Temp.effect on zero	%F.S./10C°	0.05
Input impedance	Ω	800-1100
Output impedance	Ω	800-1100
Insulation		≥5000M Ohm/100VDC
Recommended excitation	V	5-15
Maximum excitation Voltage	V	20
Compensated temp. range	°C	-10 - 60
Operating temp. range	°C	-20 - 80
Safe load limit	%F.S.	150
Breaking load	%F.S.	200
Cable size	mm	3 × 4000
Weight approx.	kg	0.1
Material		Stainless Steel
IP Class		IP67

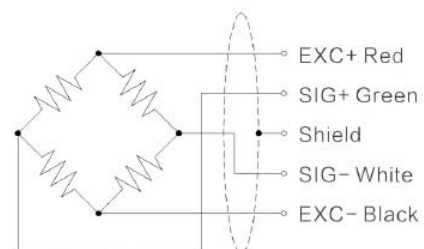
Features & Applications

- Low profile, small deflection and mini dimension
- Made of stainless steel, High temperature could be customized
- IP67 protection, customizable
- Suitable for Automotive press fit, automated assembly, 3C products testing, new energy product assembly, medical testing, robotics, mold assembly and other industrial testing and control system
- High dynamic response frequency

Load Direction



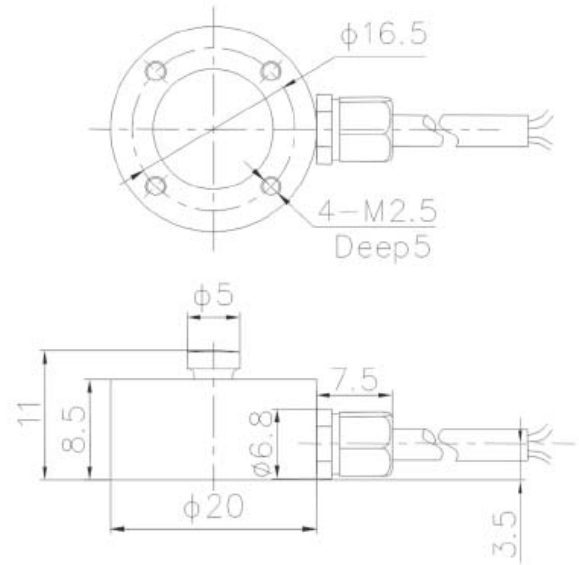
Wiring Code



FKB



Mounting Dimension

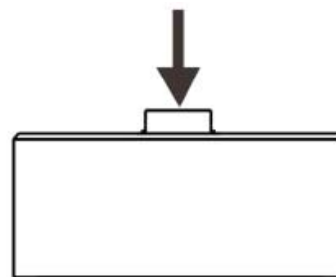


Specifications		FKB
Capacity	kN	1, 2, 5, 10, 20
Sensitivity	%mV/V	1.5±20
Zero balance	mV/V	± 0.05
Non-linearity	%F.S.	0.5
Hysteresis	%F.S.	0.2
Repeatability	%F.S.	0.2
Creep(30min)	%F.S.	0.1
Temp.effect on output	%F.S./10°C	0.05
Temp.effect on zero	%F.S./10C°	0.05
Input impedance	Ω	800-1100
Output impedance	Ω	800-1100
Insulation		≥5000M Ohm/100VDC
Recommended excitation	V	5-15
Maximum excitation Voltage	V	20
Compensated temp. range	°C	-10 - 60
Operating temp. range	°C	-20 - 80
Safe load limit	%F.S.	150
Breaking load	%F.S.	200
Cable size	mm	3 × 4000
Weight approx.	kg	0.1
Material		Stainless Steel
IP Class		IP67

Features & Applications

- Low profile, small deflection and mini dimension
- Made of stainless steel, High temperature could be customized
- IP67 protection, customizable
- Suitable for Automotive press fit, automated assembly, 3C products testing, new energy product assembly, medical testing, robotics, mold assembly and other industrial testing and control system
- High dynamic response frequency

Load Direction



Wiring Code

