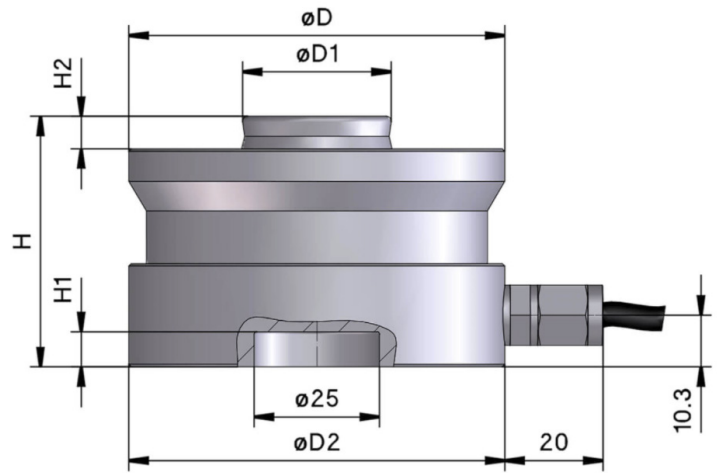


S-S50V Ring-Torsion load cell

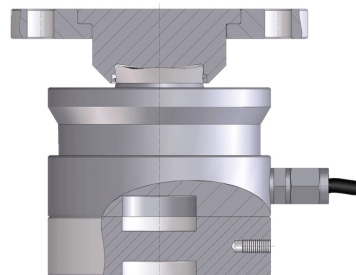


Specifications		S-S50V
Capacity	kg	10000, 22000, 33000, 47000, 68000, 100000, 150000
Sensitivity	%mV/V	2.85
Zero balance	%F.S.	± 1% F.S.
Non-linearity	%F.S.	0.0166
Hysteresis	%F.S.	0.0166
Repeatability	%F.S.	0.018
Creep(30min)	%F.S.	0.0166
Temp.effect on output	%F.S./10°C	0.0175
Temp.effect on zero	%F.S./10C°	0.0125
Input impedance	Ω	1450 ± 10
Output impedance	Ω	1402 ± 5
Insulation		≥5000M Ohm/100VDC
Recommended excitation	V	5 – 12
Maximum excitation Voltage	V	15
Compensated temp. range	°C	-10 – 40
Operating temp. range	°C	-10 – 50
Safe load limit	%F.S.	150
Breaking load	%F.S.	200
Cable size	mm	12000
Material		Alloyed steel
IP Class		IP66

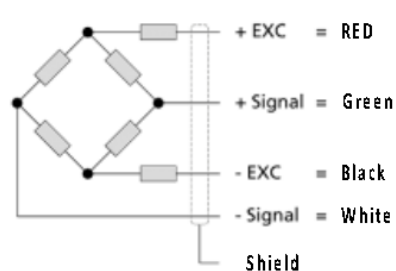
Features & Applications

- Made of stainless steel
- Strong stability
- Used in various automated stamping applications
- IP68 protection
- Mainly used for food and pharmaceutical industry and industrial measuring systems

Load Direction



Wiring Code



Cap (t)	D	D1	D2	H	H1	H2
10-22	75	30	75	50	7	6,5
33	95	40	95	65	7	10
47	130	60	130	75	7	14
68	130	60	130	85	7	14
100	150	70	150	90	7	16