

## S-FOWA Ringforce washer – Annular load cell

### Annular load cell

### S-FOWA

#### ● Characteristics

3 - PRESSING FORCE - PRELOAD - ROPE - TENSION - DONUT - THROUGH HOLE



- Ranges:	0...10 up to 0...200 kN
- Output:	1 mV/V
- Voltage supply:	10 VDC
- Accuracy:	<0,5% of range (combined error)
- Output resistance:	700 Ω
- Temperature range:	-20...+80 °C (working)
- Insulation resistance:	>500 MΩ (100 VDC)
- Safe overload:	150% vom Bereich
- Material:	stainless steel 17-4PH
- Protection:	IP66
- Cable length:	standard 3 m

#### ● Technical data

##### Input

Ranges:	10 / 20 / 40 / 80 / 120 / 160 / 200 kN
Input resistance:	750 Ω

##### Output

Nominal load:	1,0 mV/V
No load:	<±1,0 % of range
Output resistance:	700 Ω

##### Accuracy

Combined error:	<0,5 % of range
Repeatability:	<0,1 % of range
Temperature coefficient:	
of span:	<0,0050% of range / °C
of zero:	<0,030% of range / °C

##### Supply

Voltage:	10 VDC standard value (maximum: 15 VDC)
Insulation resistance:	>500 MΩ at 100 VDC

##### Ambient conditions

Temperature:	compensated range: 0...+70°C operation range: -20...+80°C
--------------	--

##### Mechanics

Dimensions:	see table page 2
Material load cell:	stainless steel 17-4PH
Safe overload:	150% of nominal load
Protection:	IP 66
Connection:	3 m PUR cable, shielded, 4-wire

#### ● Applications

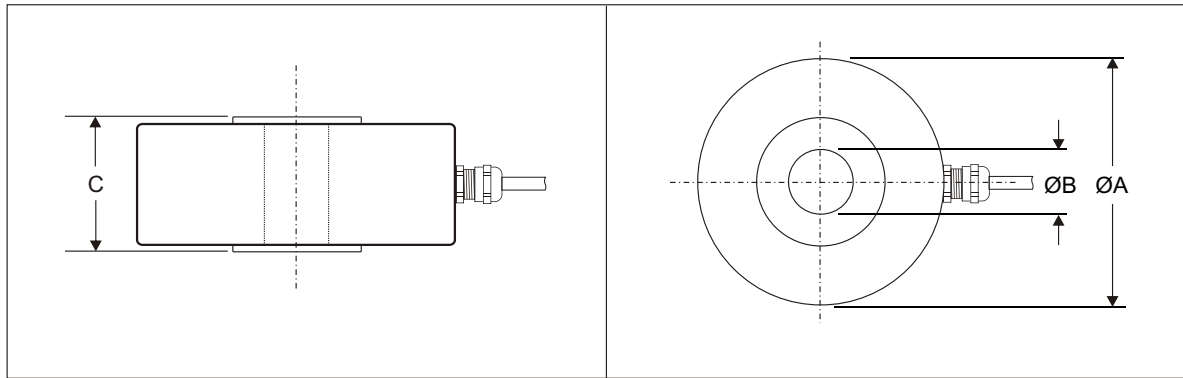
For use in all ranges where weights have to be measured, e.g. Monitoring screw preload, deep-draw pressing force, fork lift truck overload or failsafe cable tension.



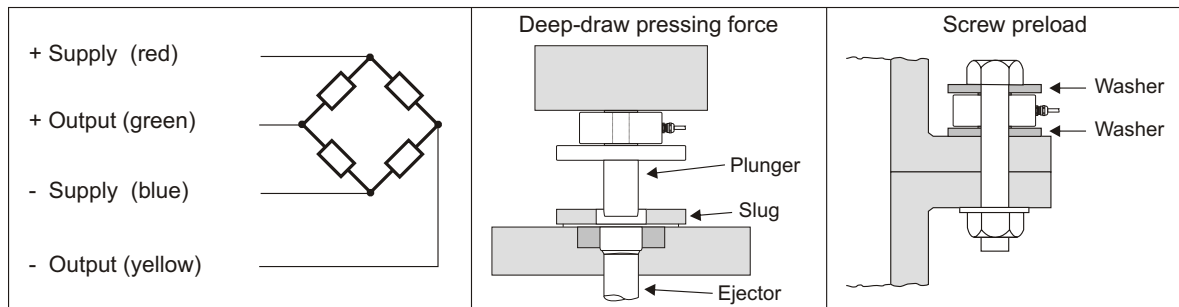
# S-FOWA Ringforce washer – Annular load cell

● **Dimensions (in mm), view**

Range (kN)	10	20	40	80	100	120	160	200
Screw, bolt	M6	M8	M10	M12	M16	M24	M30	M36
ØA	18	22	28	38	42	50	60	75
ØB	6,1	8,1	10,2	12,2	16,3	24,3	30,5	36,5
C	12	12	12	15	20	25	30	30



● **Connection, example of use**



● **Ordering code**

**F O X X X X X X - X X X**

<b>Material load cell:</b>	stainless steel 17-4PH	0
<b>Range:</b>	10 kN	0
	20 kN	1
	40 kN	2
	80 kN	3
	100 kN	4
	120 kN	5
	160 kN	6
	200 kN	7
<b>Output:</b>	1 mV/V	0
<b>Connection:</b>	3 m PUR-Kabel	0
<b>Other / accessories:</b>	special model	0