

Measuring amplifier EPC

Technical Data		
Input analog		
Input sensitivity-stepsless	mV/V	0,1...8
Input resistance strain-gauge-full-bridge	Ω	60...20000
Input voltage	V	0...3
Output analog		
Voltage output	V	-10...10
Output resistance - voltage	Ω	0.12
Current output	mA	0...20
Measuring frequency		
Data frequency	Hz	1...25
Sampling frequency	kHz	50
Supply		
Supply voltage	V	12...24
Current consumption from	mA	22
Strain gauge bridge supply	V	3
Interface		
Type of the interface		Connectors
Quantity of the interface		1
Zero adjustment		
Tolerance	%F.S.	0.1
Time period	ms	1
Debouncing time	s	1
Trigger level	V	9...28
Trigger edge		steigend
Temperature		
Rated temperature range	$^{\circ}\text{C}$	-10...+70
Operating temperature range	$^{\circ}\text{C}$	-25...85
Environmental protection		IP00/IP66
Basis data		
Housing		Aluminium
Connection		Connectors
Number of channels		1-Channel
Precision		
Accuracy class	%	0.1
Temperature effect on zero	%F.S./ 10°C	0.05
Temperature effect on sensitivity	%R.D./ 10°C	0.01
Resolution	Bit	16

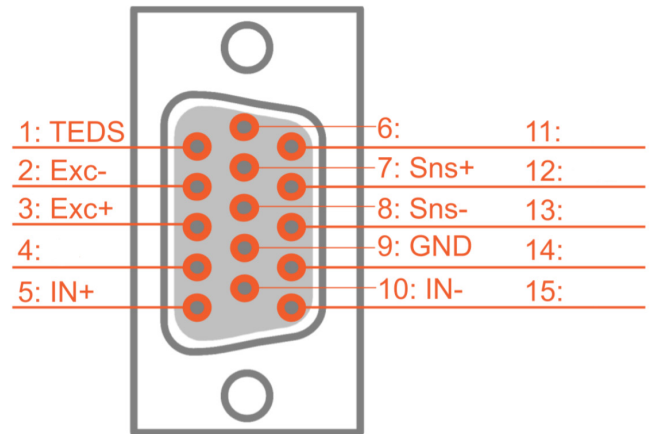
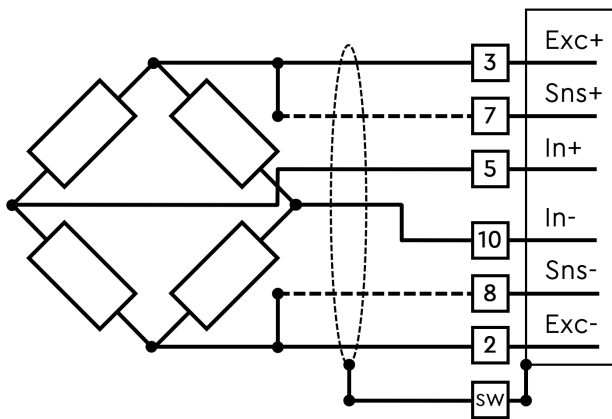


Features & Applications

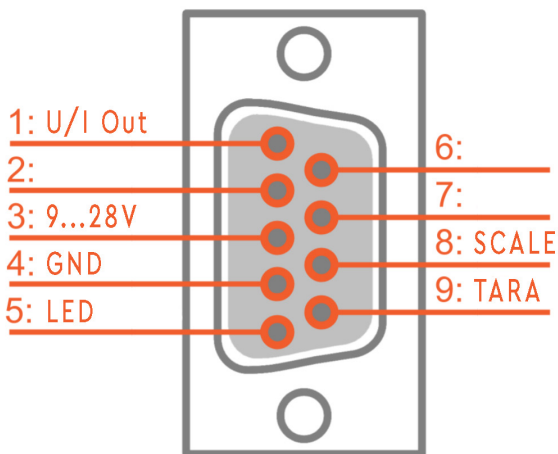
- 1 – channel strain gauge amplifier
- Connection: Connectors or integration in cable
- Dimensions: 52mm x 32,5mm x 16mm
- **Analog output: -10V...+10V, 0...10V, 4...20mA, 0...5V, $\pm 5\text{V}$ oder 0...20mA**
- Input sensitivity: 0.1mV/V...8mV/V
- Data frequency: 1Hz...25kHz
- Supply voltage: 12V...24V DC
- Protection class: IP00/IP66

Messverstärker EPC

Input



Output



OCTOGON
MESSTECHNIK

octogon GmbH

Roseggerstraße 16, 8700 Leoben, Austria

Phone: 0650 9881601

Website: <https://www.octogon.org>